



## A.H. Systems, Inc.

9710 Cozycroft Ave.  
Chatsworth, CA 91311



Tel: (818) 998-0223



sales@AHSystems.com

Fax: (818) 998-6892



www.AHSystems.com

# SAS-575

## Double Ridge Guide Horn Antenna

1 GHz – 4 GHz

High gain, low VSWR, input handling capability up to 250 watts CW, and rugged design make this horn antenna excellent for both immunity and emissions testing.

Frequency Range: 1 GHz - 4 GHz  
Antenna Factor (3 Meter): 20 to 31  
Gain (dBi): 10 to 15  
VSWR (Ave.): 1.5:1  
Maximum Continuous Power: 250 Watts  
Max Radiated Field: 200 V/m  
Beamwidth (E-Field): 49 - 32°  
Beamwidth (H-Field): 50 - 35°  
Impedance: 50  $\Omega$   
VSWR: 1.6:1 (2.5:1 max)  
Connector: N-Type, female  
Mounting Base: ¼ - 20 Thread, female

### Features

- Broad Frequency Range of 1 GHz to 4 GHz
- Linearly Polarized High Gain, Low VSWR
- Individually Calibrated
- Three year Warranty

The A.H. Systems' Double Ridge Guide Horn Antenna is a broadband antenna that offers excellent performance over the frequency range of 1 GHz to 4 GHz. High gain, low VSWR, input handling capability up to 250 watts CW, and rugged design make this horn antenna excellent for both immunity and emissions testing.

### Recommended Accessories

- PAM-1840 (Preamplifier)
- SAC-40G-1.5 (1.5 Meter Low Loss Cable)
- SAC-40G-0.5 (0.5 Meter Low Loss Cable)



# A.H. Systems, Inc.

9710 Cozycroft Ave.  
Chatsworth, CA 91311

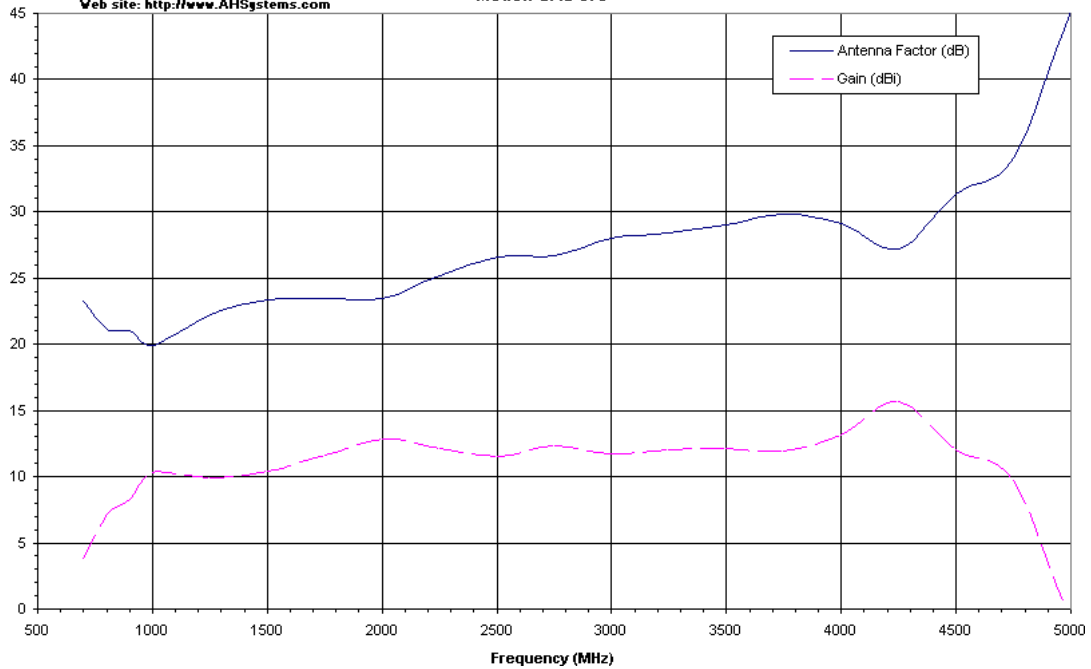


Tel: (818) 998-0223  
Fax: (818) 998-6892

◆ sales@AHSystems.com  
◆ www.AHSystems.com

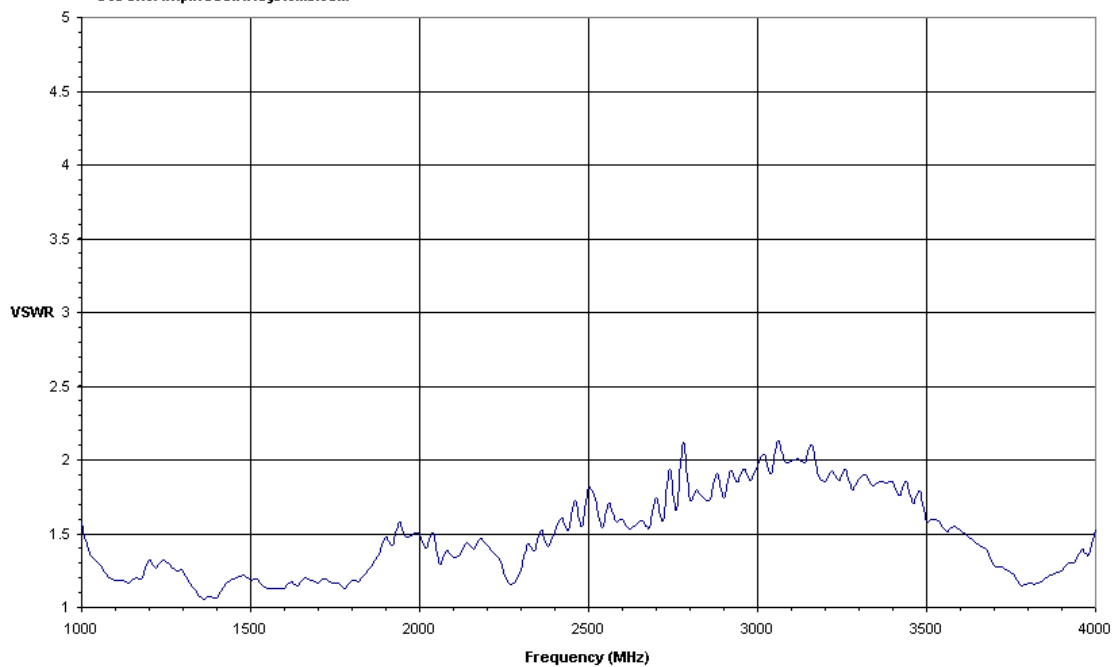
 A.H. Systems Inc.  
9710 Cozycroft Ave. Chatsworth, CA 91311  
Phone (818) 998-0223 Fax (818) 998-6892  
E-mail: sales@A.H.Systems.com  
Web site: <http://www.AHSystems.com>

## Far Field Antenna Data Model: SAS-575



 A.H. Systems Inc.  
9710 Cozycroft Ave. Chatsworth, CA 91311  
Phone (818) 998-0223 Fax (818) 998-6892  
E-mail: sales@A.H.Systems.com  
Web site: <http://www.AHSystems.com>

## Antenna VSWR Model: SAS-575





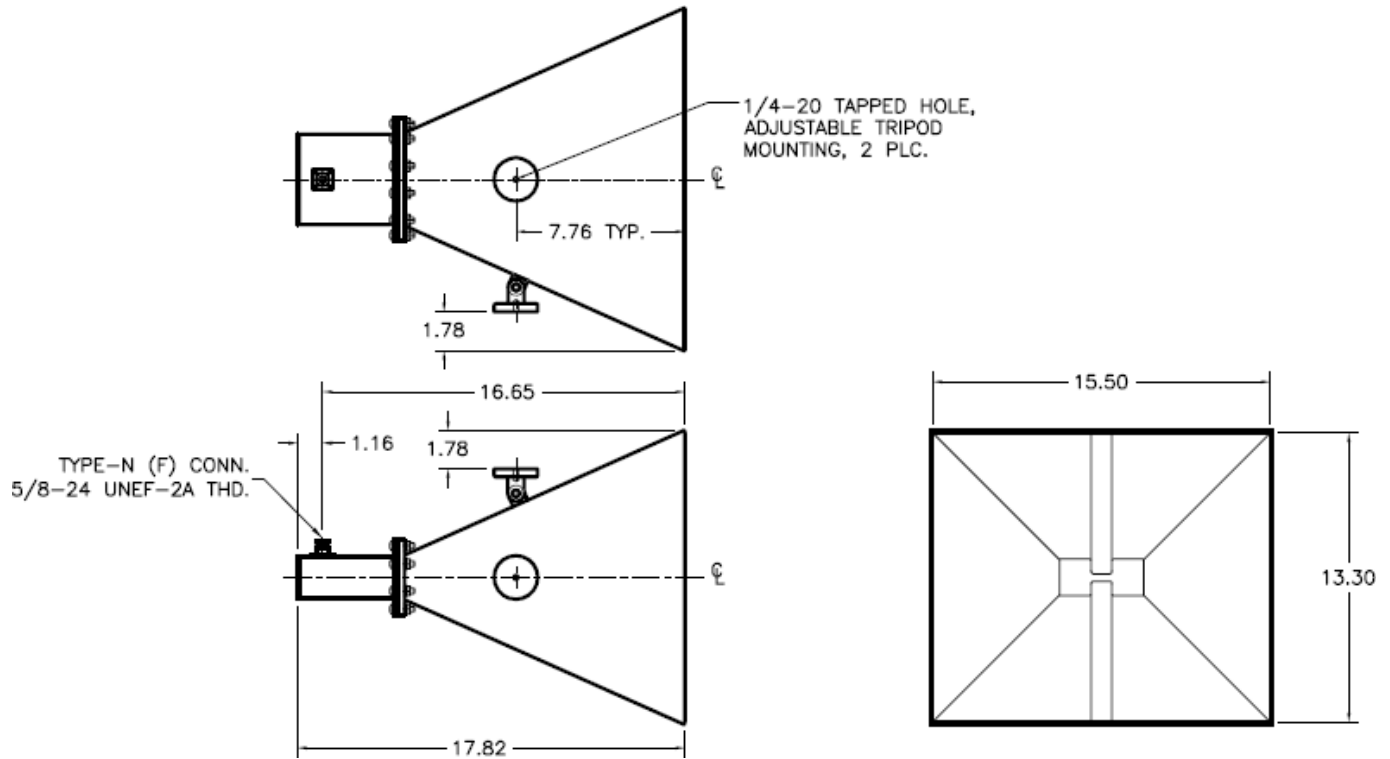
**A.H. Systems, Inc.**

9710 Cozycroft Ave.  
Chatsworth, CA 91311



Tel: (818) 998-0223  
Fax: (818) 998-6892

◆ sales@AHSystems.com  
◆ www.AHSystems.com



**Physical Dimensions:**

Length: 17.8 in. (45 cm)  
Width: 13.3 in. (34 cm)  
Height: 15.5 in. (40 cm)  
Weight: 0.2 lbs. (0.09 kg)